

February 2011

## Product

Concentric Vent

## General

The Concentric Vent allows both the intake for combustion air and the exhaust vent to pass through a standard roof or sidewall. This is an alternative to the standard two pipe intake/vent shown in the basic furnace installation instructions.

Two Concentric Vent products are available: CVENT-2 is for use with 2" intake/vent systems and CVENT-3 is for use with 3" intake/vent systems.

Refer to the furnace installation instructions for intake/vent pipe sizing information.

NOTE: The Concentric Vent reduces the allowable intake/vent piping length by 5 feet from that listed in the basic furnace installation instructions.

## WARNING

Do not use the Concentric Vent kit for anything other than a Category IV furnace. Failure to follow this warning could result in fire, personal injury or death.

## WARNING

Do not operate the furnace until the installation and assembly of the Concentric Vent and all piping are completed. Failure to follow this warning could result in product damage or improper operation, personal injury or death.

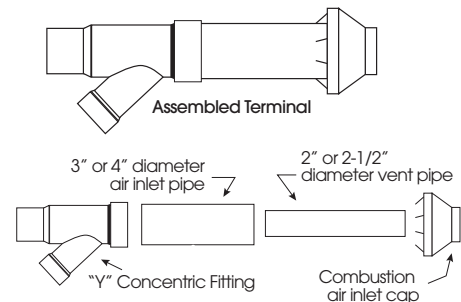
Each concentric vent kit contains the following items:

- (1) Combustion Air Inlet Cap
- (1) Air Inlet Pipe
- (1) Vent Pipe
- (1) Intake/Vent Concentric "Y"
- (1) Installation Instructions on box

Pipe and fittings are required to complete installation (user

supplied). The combustion air and vent pipe fittings must conform ANSI and ASTM standards D1785, F891, D2665, D2241, D2661, or F628. Pipe cement and primer must conform to ASTM standards D2564 or D2235.

In Canada, construct all combustion air and vent pipes for this unit of CSA or ULC certified Schedule 40 PVC, PVC-DWV, or ABS-DWV pipe and pipe cement.



| MODEL   | INTAKE/VENT NOM. PIPE SIZE | OVERALL ASSEM'D LENGTH <sup>1</sup> | INTAKE PIPE OUTSIDE DIAMETER | AIR INLET PIPE LENGTH <sup>2</sup> |
|---------|----------------------------|-------------------------------------|------------------------------|------------------------------------|
| CVENT-2 | 2"                         | 34-3/4"                             | 3-1/2"                       | 27-1/4"                            |
| CVENT-3 | 3"                         | 39-3/4"                             | 4-1/2"                       | 31-7/8"                            |